



# PAR38

## PAR38 120W E27 24V SP 10D 1CT/12

Pressed-glass 121 mm diameter reflector lamps of high luminous intensity

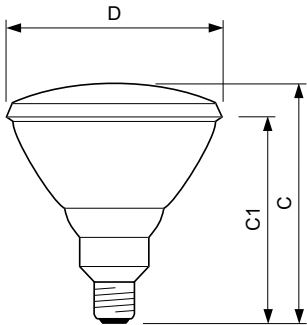
### Product data

General Information	
Base	E27 [ E27]
Operating Position	Universal [ Universal]
Nominal Lifetime (Nom)	2000 h
Switching Cycle	8000X
Light Technical	
Beam Angle (Nom)	10 °
Luminous Flux (Rated) (Nom)	1545 lm
Luminous Intensity (Max)	23000 cd
Beam Description	Spot
Rated Beam Angle	10 °
Correlated Color Temperature (Nom)	2700 K
Color Rendering Index (Nom)	100
Luminous Flux in 90° Cone (Rated)	1545 lm
Operating and Electrical	
Power (Rated) (Nom)	120.0 W
Starting Time (Nom)	0.0 s
Warm Up Time to 60% Light (Nom)	instant full light
Power Factor (Nom)	1
Voltage (Nom)	24 V

Controls and Dimming	
Dimmable	Yes
Mechanical and Housing	
Eccentricity (Max)	1.0 mm
Skewness (Max)	2.5 mm
Approval and Application	
Energy Efficiency Label (EEL)	C
Energy Consumption kWh/1000 h	127 kWh
Product Data	
Order product name	PAR38 120W E27 24V SP 10D 1CT/12
EAN/UPC - Product	8711500380739
Order code	250605
Numerator - Quantity Per Pack	1
Numerator - Packs per outer box	12
Material Nr. (12NC)	923810020511
Net Weight (Piece)	319.000 g
ILCOS Code	IPAR-120-24-E27-121/10

# PAR38

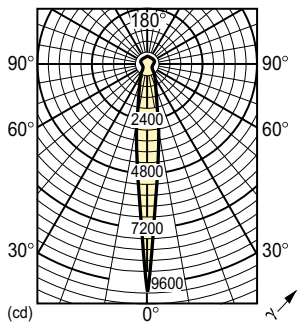
## Dimensional drawing



Product	D (max)	C (max)	C1
PAR38 120W E27 24V SP 10D 1CT/12	123 mm	137 mm	123 mm

PAR38 120W E27 24V SP

## Photometric data



LDLD\_IPAR38-E\_120W\_SP-Light distribution diagram

