



# LED MR16

## 6.5MR16/LED/F35/927/D/EC/12V T20 10/1FB

Philips LED MR-16 lamps with single optic technology provide the look and color quality of traditional halogens while using a fraction of the energy. A perfect fit for spot lighting, they are compatible with most existing fixtures with MR16 GU5.3 holders and are designed as a retrofit replacement for halogen or incandescent spots.

### Product data

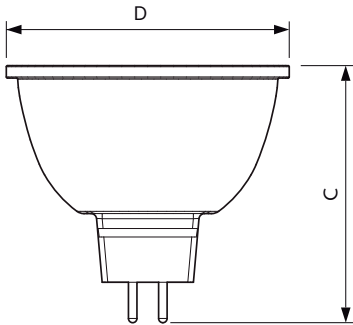
General Information		Lamp Current (Nom)	
Base	GU5.3 [ GU5.3]	Lamp Current (Nom)	700 mA
EU RoHS compliant	Yes	Wattage Equivalent	42 W
Nominal Lifetime (Nom)	25000 h	Starting Time (Nom)	0.5 s
Switching Cycle	50000X	Warm Up Time to 60% Light (Nom)	0.5 s
Technical Type	6.5-42W	Power Factor (Nom)	0.8
		Voltage (Nom)	ac electronic 12 V
Light Technical		Temperature	
Color Code	927	T-Case Maximum (Nom)	92 °C
Beam Angle (Nom)	35 °		
Initial lumen (Nom)	485 lm	Controls and Dimming	
Luminous Intensity (Nom)	1110 cd	Dimmable	Yes
Color Designation	Warm White (WW)		
Correlated Color Temperature (Nom)	2700 K	Approval and Application	
Luminous Efficacy (rated) (Nom)	74.00 lm/W	Energy Efficiency Label (EEL)	Not applicable
Color Consistency	<3	Suitable For Accent Lighting	Yes
Color Rendering Index (Nom)	91	Energy Consumption kWh/1000 h	- kWh
LLMF At End Of Nominal Lifetime (Nom)	70 %		
Operating and Electrical		Product Data	
Input Frequency	- Hz	Order product name	6.5MR16/LED/F35/927/D/EC/12V T20 10/1FB
Power (Rated) (Nom)	6.5 W	EAN/UPC - Product	046677479169
		Order code	479162

# LED MR16

Numerator - Quantity Per Pack	1
Numerator - Packs per outer box	10
Material Nr. (12NC)	929001854504

Net Weight (Piece)	0.056 kg
--------------------	----------

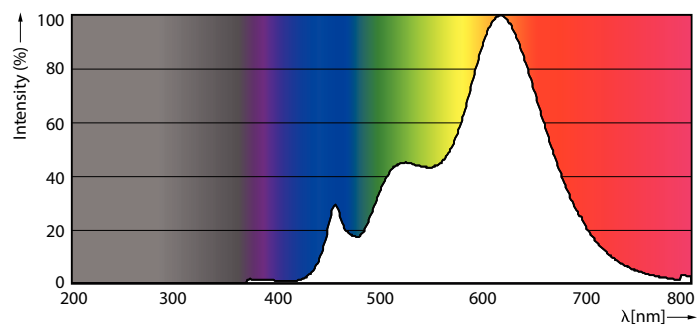
## Dimensional drawing



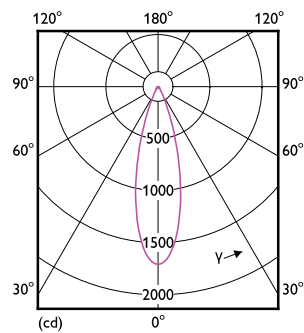
MR16 12V 6.3-42W 35D 2700K GU5.3 D 25khr

Product	D	C
6.5MR16/LED/F35/927/D/EC/12V T20 10/1FB	50.5 mm	46 mm

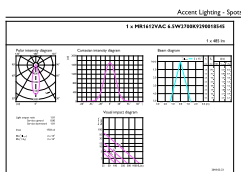
## Photometric data



LEDspot 6.5W GU5.3 MR16 927 25-35D DIM



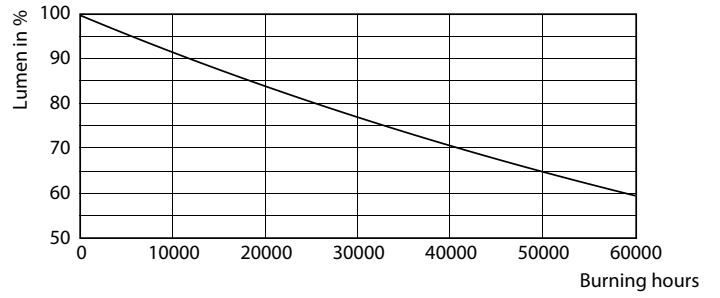
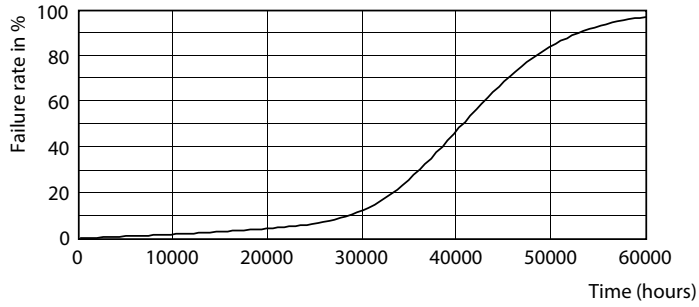
LEDspot 6.5W GU5.3 MR16 927 35D DIM



LEDspot 6.5W GU5.3 MR16 927 35D DIM

# LED MR16

## Lifetime



LEDspot 6.5W GU5.3 MR16 927 25D DIM

LEDspot 6.5W GU5.3 MR16 927 25D DIM

