

# Lumination™ LED Luminaires

## RS4 - Four-Inch LED Downlights



Project name \_\_\_\_\_

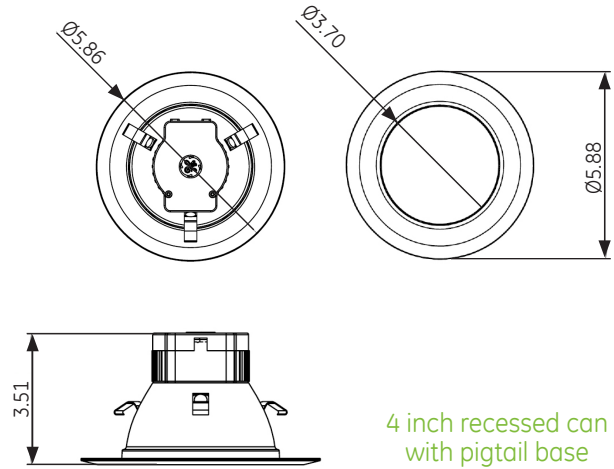
Date \_\_\_\_\_

Type \_\_\_\_\_

### Product Description:


The Lumination RS4 LED downlights install in just minutes into most four-inch recessed housings, making the RS4 ideal for use in both retrofit and new construction applications. The RS4 delivers 700 lumens at 70 lumens per watt, bringing significant energy savings to residential, light commercial, and hospitality environments. All downlights in the RS family have instant-on, standard 120V dimming, and a uniform lit appearance, delivering premium performance in a compact, economical package.

### Product Dimensions:



### Targeted Performance Summary:

**Distribution Patterns:** Wide  
**Delivered Lumen Output:** 700  
**System Input Power:** 10 W  
**System Efficacy (LPW):** 70  
**Input Voltage:** 120V  
**Standard Dimming Controls:** Smooth dimming down to 10%  
**CCT:** 2700K, 3000K  
**CRI:** 80+  
**Lifetime Rating:** L70 @ 35,000 Hours  
**Input Frequency (Hz):** 60Hz  
**Power Factor:** >0.9  
**Mounting Options:** Friction clips fit most 4" cans. E26 and GU24 base options.  
**Weight:** 0.5 lb  
**IC Rating:** Compatible with IC or non-IC housings.  
**Limited Warranty:** 5 years system  
**Files Available:** LM79, LM80, IES

Listings: 

- UL and cUL Listed.
- Suitable for damp locations.

a product of  
**ecomagination™**



### Ordering Information:

PRODUCT CODE	DESCRIPTION	RECESSED CAN SIZE	CCT	BASE TYPE	CRI	LUMENS	WATTS	LPW	RATED LIFE L70 (Hrs.)	DIMMABLE	LOCATION RATING	BASE ATTACHMENT
95853	LED10RS4/827E26P	4"	2700K	E26	80	700	10	70	50,000	Yes	Damp	Pigtail
95854	LED10RS4/830E26P	4"	3000K	E26	80	700	10	70	50,000	Yes	Damp	Pigtail
95855	LED10RS4/827GUP	4"	2700K	GU24	80	700	10	70	50,000	Yes	Damp	Pigtail
95856	LED10RS4/830GUP	4"	3000K	GU24	80	700	10	70	50,000	Yes	Damp	Pigtail

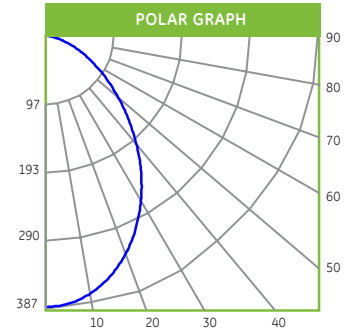


# Photometric Data: Lumination™

RS4

COEFFICIENTS OF UTILIZATION																				
RC	80%				70%				50%				30%				10%			
	RW	70%	50%	30%	10%	70%	50%	30%	10%	50%	30%	10%	50%	30%	10%	50%	30%	10%	0%	
0	119	119	119	119	119	116	116	116	116	111	111	111	106	106	106	102	102	102	100	
1	111	107	104	101	108	105	102	99	101	98	96	97	95	93	93	92	90	88		
2	103	96	90	85	100	94	89	84	91	86	82	87	84	81	84	82	79	77		
3	95	86	79	73	93	84	78	73	82	76	72	79	74	70	76	73	69	67		
4	88	77	70	64	86	76	69	64	74	68	63	72	66	62	70	65	61	59		
5	82	70	62	56	80	69	62	56	67	61	56	65	60	55	63	58	54	53		
6	76	64	56	50	74	63	56	50	61	55	50	60	54	49	58	53	49	47		
7	71	59	51	45	69	58	50	45	56	50	45	55	49	44	54	48	44	42		
8	66	54	46	41	65	53	46	41	52	45	41	51	45	40	50	44	40	38		
9	62	50	42	37	61	49	42	37	48	42	37	47	41	37	46	41	37	35		
10	59	46	39	34	57	46	39	34	45	38	34	44	38	34	43	38	34	32		

NOTE: Floor Cavity Reflectance : 20%



### CANDLEPOWER SUMMARY

NOMINAL MODULE LUMENS	
Angle	Candela
0	386
5	382
15	353
25	300
35	232
45	160
55	98
65	51
75	17
85	0
90	0

### ZONAL LUMEN SUMMARY

NOMINAL MODULE LUMENS		
Zone	Lumens	% of Fixture
0 - 30°	272	39
0 - 40°	417	59.7
0 - 60°	629	89.9
0 - 90°	700	100

### CONE OF LIGHT

NOMINAL MODULE LUMENS		
Height	fc	Dia. (ft.)
4'	24	6.7
6'	11	10.1
8'	6	13.4
10'	4	16.8

### APPLICATION REFERENCE (Open Space)

NOMINAL MODULE LUMENS		
Spacing	Avg. fc	W/ft²
4' x 4'	41.5	0.64
6' x 6'	19.4	0.30
8' x 8'	10.4	0.16
10' x 10'	6.9	0.11

10' ceiling, Open Space: 50' x 40' x 10'  
LLF: 1.0 Initial, 80/50/20 Reflectances, 2.5' workplane

### APPLICATION REFERENCE (Corridor)

NOMINAL MODULE LUMENS		
Spacing	Avg. fc	W/ft²
4' on ctr.	14.7	0.44
6' on ctr.	10.0	0.30
8' on ctr.	7.1	0.21
10' on ctr.	5.9	0.18

10' ceiling, Corridor: 6' W x 100' L  
LLF: 1.0 Initial, 80/50/20 Reflectances, Light levels on the ground

Spacing Criteria: RS4 = 1.08

## Product Specifications:

### Construction:

- 16 gauge steel housing resists dents during transportation and installation
- Spring steel mounting clips allow for several reinsertions without deformation

### Installation:

- Edison base installs into standard sockets
- Universal mounting clips install into standard 6" downlight housings in minutes
- Unique mounting clip design delivers a secure hold with easy removability

### Optical System:

- Flat lens for sleek, modern appearance
- Edge-to-edge, uniform lit appearance with no hot spots or pixelation
- Highly transmissive lens material for optimal combination of light transmission while diffusing LEDs from direct view

### Electrical System:

- Integrated, high-efficiency driver with power factor > 0.9
- Dimmable to 10% with most incandescent dimmers
- Instant-on

For more information and access to all of our resources, including our design tool visit: [www.gelighting.com](http://www.gelighting.com)



[www.gelighting.com](http://www.gelighting.com)

Lumination, ecomagination, GE and the GE Monogram are trademarks of the General Electric Company. Information provided is subject to change without notice. All values are design or typical values when measured under laboratory conditions. GE Lighting Solutions, LLC is a subsidiary of the General Electric Company. © 2015 GE Lighting.

IND117 (Rev 4/10/2015)