

2G Series Super-LED®



LIGHTHEAD

The 2G Series Super-LED lightheads deliver safety, durability, and performance for commercial vehicles. Their modern design is compatible with industry-standard form factors and mounting options, blending aesthetics with functionality. Offering SOLO™ and split-color configurations, 2G lightheads ensure visibility in all conditions. The integrated sync wire simplifies pattern synchronization, and FMVSS-compliant signaling lights enhance safety for DOT fleets, and commercial vehicles.



FEATURES

- Hard-coated lenses resist environmental damage from sand, sun, salt, and road chemicals
- Superior wide-angle visibility
- SOLO and split-color models available
- Warning light models have 33 Scan-Lock™ flash patterns
- Fully encapsulated electronics rated to last 100,000 hours
- Integrated sync wire synchronizes multiple lights to flash simultaneously or alternated without additional equipment
- Surface mounts with flange (option)
- Brake/Tail/Turn options

SPECS

Voltage: 10-30 VDC
 Amps @12.8 VDC: **SOLO:** 0.71 (peak), 0.29 (avg.)
Split: 0.54 (peak), 0.23 (avg.) per color
BTT: 0.27 Brake, 0.30 Tail
Turn: 0.41 (peak), 0.22 (avg.)
Back-Up: 0.16 (peak), 0.09 (avg.)

Dimensions: 1.34" (3.40cm) D (with grommet) x 5.56" (14.12cm) Dia.

Certifications: SAE Class 1, CA Title 13, IP67 Rated,
BTT/Turn/Back-Up: FMVSS

Warranty: 5-year

MODELS

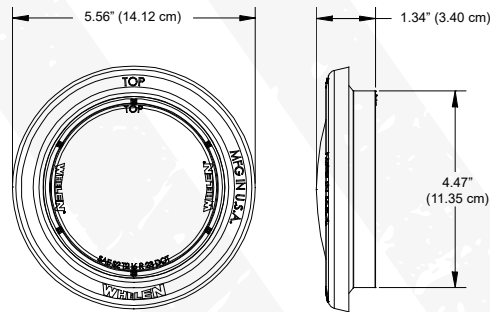
2G*	Super-LED Warning Light, Lens Matches Selected LED Color
2G*C	Super-LED Warning Light, Clear Lens
2G#	Split, Side-By-Side with Independent On/Off Control of Each Side, Clear Lens
2GBTT	Super-LED Brake/Tail/Turn, Red Lens
2GBTTC	Super-LED Brake/Tail/Turn, Clear Lens
2GT	Super-LED Turn Light, Amber Lens
2GTC	Super-LED Turn Light, Amber LED, Clear Lens
2GBU	Super-LED Back-Up Light, Clear Lens
2GA1	Super-LED Amber Warning Light with Superseal Connector, Amber Lens
2GAC1	Super-LED Amber Warning Light with Superseal Connector, Clear Lens
2GBTT1	Super-LED Brake/Tail/Turn with Industry Standard Connector, Red Lens



Replace * in model number with letter indicating color desired: A = Amber, B = Blue, C = White, G = Green, R = Red
 Replace # in model number with letter indicating split-color desired: D = Red/White, E = Blue/White, F = Amber/White, H = Green/White, J = Red/Blue, K = Red/Amber, L = Red/Green, M = Blue/Amber, N = Blue/Green, P = Amber/Green

OPTIONS

2GFLANGC	Chrome Flange
2GFLANGB	Black Flange
2GBKT1	"L" Bracket



⚠ WARNING: This product may contain chemicals known to the State of California to cause cancer and birth defects or other reproductive harm. For more information, visit whelen.com/regulatory.

All products proudly designed, manufactured, and assembled in the U.S.A.
 • ISO 9001 Registered QMS

Whelen Engineering reserves the right to upgrade and improve products without notice.
 © 2025 Whelen Engineering Company, Inc. Printed in U.S.A.
 Code No. P13543A - 01/25

WHELEN®
 MANUFACTURED IN AMERICA

51 Winthrop Road
 Chester, Connecticut 06412-0684
 (860) 526-9504
www.whelen.com

WHELEN ENGINEERING COMPANY, INC.