



OSRAM CLASSIC



Benefits and features:

- Effective, reliable quality light at favourable prices (EMH = Economy Metal Halide).
- The most popular metal halide lamps available as basic versions: powerful and long-lasting, featuring the traditional qualities that have come to characterize OSRAM.
- Thanks to their excellent price performance ratio, the lamps are particularly suitable for application in discotheques, clubs and retail stores or for small stages.
- Available as single ended and double ended versions.

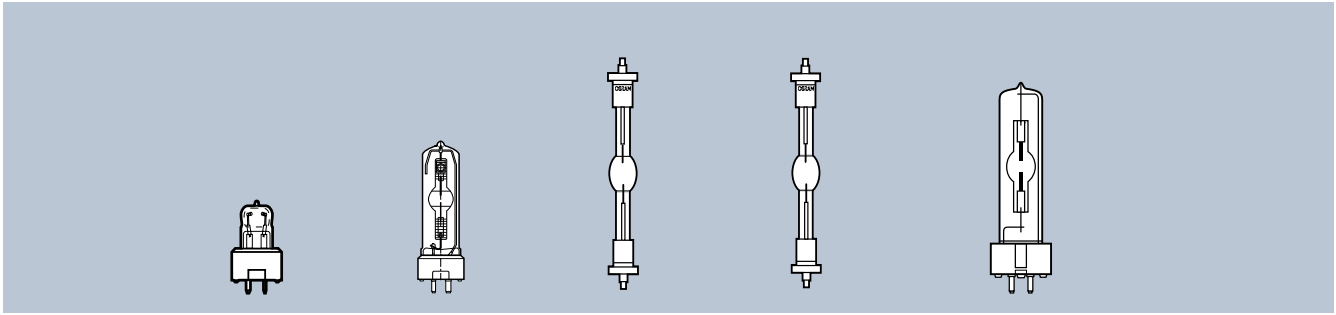
OSRAM CLASSIC – the economic alternative.

Classic quality and top performance at a reasonable price.

SEE THE WORLD IN A NEW LIGHT



TECHNICAL DATA



	EMH 150W/SE/70	EMH 250W/SE/80	EMH 575W/DE/60	EMH 575W/DE/75	EMH 575W/SE/75
Comparable to	HTI 150W	HSD 250W/80	HMI 575W/DXS	HMI 575W/DXS*	HSR 575W/72
Wattage (W)	150	250	575	575	575
Voltage (V)	90	94	95	95	95
Average life (h)	500	2000	750	750	750
Colour temperature (K)	7,000	8,000	6,000	7,500	7,500
NAED Code	55086	55087	57028	57029	57027

COMPARISON

PROFESSIONAL

Optimal light output
 Excellent colour consistency, highest CRI
 Minimal colour shift, highest lumen maintenance
 Highest average service life
 XS pinch protection technology (XS = eXtreme Seal)
 Design support, technical assistance
 Made in Europe

CLASSIC

Light output
 Colour temperature/Colour rendering
 Performance/over lifetime
 Lifetime
 Thermal resistance
 Technical support
 Origin

High output, 10% below Premium
 Good colour consistency
 Low colour shift, high lumen maintenance
 75% of Professional
 Standard pinch technology
 Technical assistance
 Made in China

* Available soon in a higher color temperature.

PACKAGING EXAMPLE

