



Uphoria™ 2 LED MR16

LED MR16 Lamps

With the form, fit and function of traditional halogen MR16 lamps, the 6W Uphoria™ 2 LED MR16 lamps are light-weight with a smooth reflector design and provide 80-85% savings on energy costs. These dimmable LED MR16 lamps are damp location rated, and are available in Narrow Flood beam spreads.

Uphoria 2 LED MR16 lamps also have a special thermal design that allows air to flow through the inside and outside of the lamp and over the heat sink to maintain proper thermal management of the LEDs. This maintains a quality light output while ensuring long life. This unique air flow design cools the lamp without the use of unappealing heat sink fins or expensive and energy consuming internal fans.

Ushio America is proud to stand behind these LED lamps with a 3-year limited warranty. All Uphoria 2 LED MR16 lamps operate on 12V with a Warm White (3000K) color temperature.



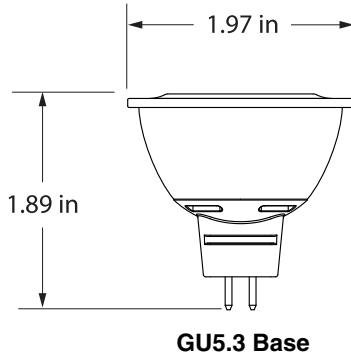
FEATURES & BENEFITS

- Energy Saving
- Dimmable
- Direct Replacement for Halogen MR16 Lamps
- Special Air Cooling Design for Premium Thermal Management Without Fins or Fans
- Damp Location Rated
- Up to 35,000 Hours
- Application Friendly: UV Free & IR Free
- Environmentally Friendly: Mercury Free, Lead Free and RoHS Compliant
- 3-Year Limited Warranty

APPLICATIONS

- Track Lighting
- Recessed Lighting
- Landscape Lighting
- Accent Lighting
- Art Gallery & Museum Lighting
- Hospitality Lighting

SPECIFICATIONS



Case Quantity: 24

| Watts (W) | Ordering Code | Lamp Description | Volts (V) | Color Temp (K) | Beam Angle | Beam Spread | Lumens* (lm) | CBCP* (cd) | CRI | Avg** Life (h) |
|-----------|---------------|---------------------------------|-----------|----------------|------------|--------------|--------------|------------|-----|----------------|
| 6 | 1003918 | UPHORIA 2 LED MR16, NFL24, WW30 | 12 | 3000 | 24° | Narrow Flood | 350 | 1281 | 80+ | 35,000 |

* Photometric data is based on LM-79 tests.

** Average life based on 70% lumen maintenance. LM-80 data available.

Electrical Specifications:

Driver: High Efficiency

Power Factor: > 0.70

Dimming: See www.ushio.com for dimmer compatibility options.

CAUTIONS:

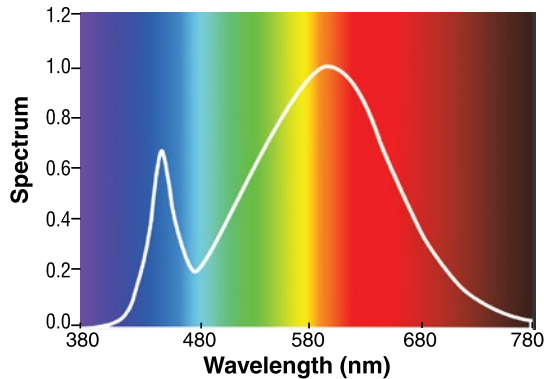
Not for use in totally enclosed fixtures.

Suitable for dry and damp locations.

Not for use in emergency or exit lighting.

ø(ft) H(ft) E(fc)

| | | |
|--------------------------|------|-------|
| 1.2 | 3.3 | 170.2 |
| 2.5 | 6.6 | 42.54 |
| 3.7 | 9.8 | 18.91 |
| 5.0 | 13.1 | 10.64 |
| 6.2 | 16.4 | 6.81 |
| 24° | | 6W |
| 6W LED MR16, NFL24, WW30 | | |



Lighting Facts/ Facts d'éclairage

Per Bulb/Par l'ampoule

Brightness/Luminosité **350 lumens**

**Estimated Yearly Energy Cost/
Coût énergétique annuel estimé** **\$0.72**

Based on 3 hrs/day, 11¢/kWh. Cost depends on rates and use. /Basé sur 3 heures/jour, 11¢/kWh. Les coûts dépendent du tarif et de la fréquence d'utilisation.

Life/Vie **32 years/ans**

Based on 3 hrs/day. /Basé sur 3 heures/jour.

Light Appearance/Apparence de l'éclairage

Warm/Chaud Cool/Froid

 3000K

Energy Used/Énergie utilisée **6 watts**